



APPLICATION MANUAL 2005

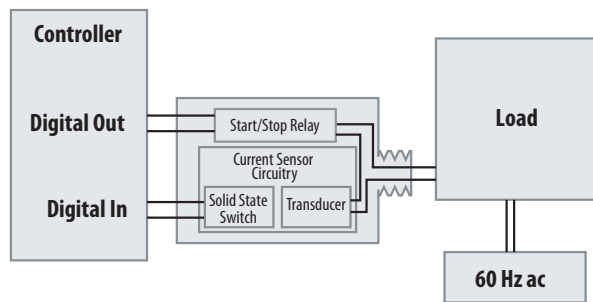
By Yorkland Controls

www.yorkland.net

Feel free to contact Yorkland Controls at 1-877-733-3833

1 RELAY & CURRENT SENSOR IN ONE

Directly start/stop load and current sensing all in one package. (No external ring is needed)



INTERNAL 20 AMP

RIBX24BF
RIBX24SBF
RIBX24BA
RIBX24SBA

INTERNAL 10 AMP

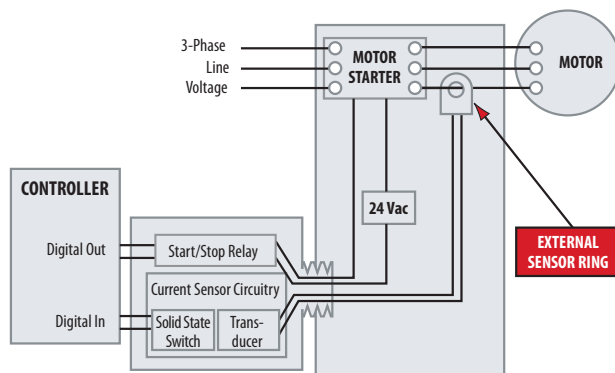
RIBXLCF
RIBXLSF
RIBXLCA
RIBXLSA

INTERNAL 5 AMP

RIBXLCEA
RIBXLSEA

2 MOTOR STARTER

Allows to control a motor starter while sensing current flowing to the motor.

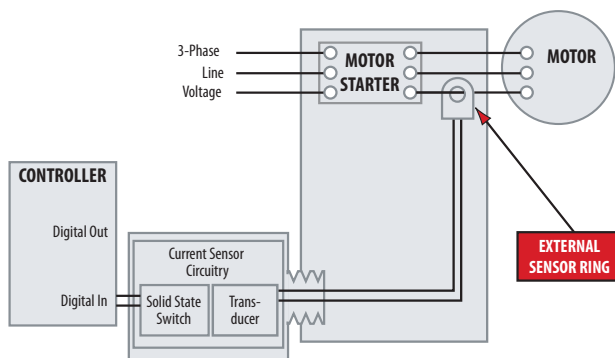


EXTERNAL SENSOR RING

RIBXLCRA
RIBXCLRF
RIBXLSRA
RIBXLSRF

3 SENSOR ONLY FOR 1.25 AMP TO 150 AMP LOAD

Use sensor only devices without relay where start/stop is not required.



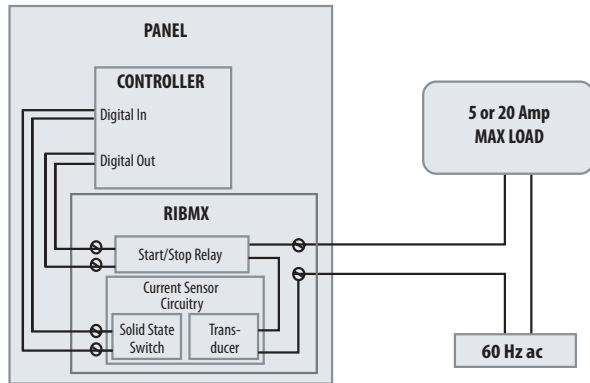
EXTERNAL SENSOR RING

RIBXRA
RIBXRF
RIBMXRA
RIBMXRF

4 PANEL MOUNTED RELAY & INTERNAL SENSOR

Start/Stop Relays with Internal Current Sensors measure current flow through the relay contacts, no external ring is needed.

Senses current as low as .50 mA.

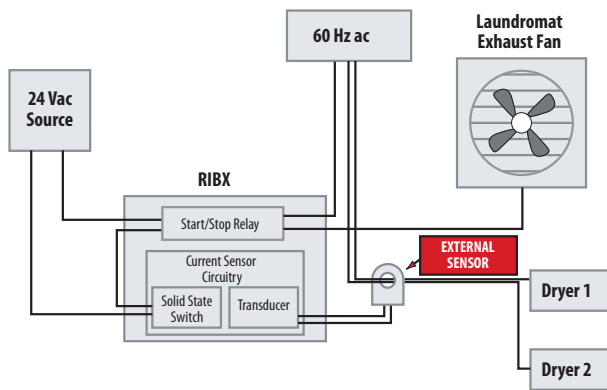


INTERNAL 20 AMP

RIBMX24BF
RIBMX24SBF
RIBMX24BA
RIBMX24SBA

5 INTERLOCKING LOADS

Some RIBX current sensor relays can be used to sense 1 or more loads to turn on another.

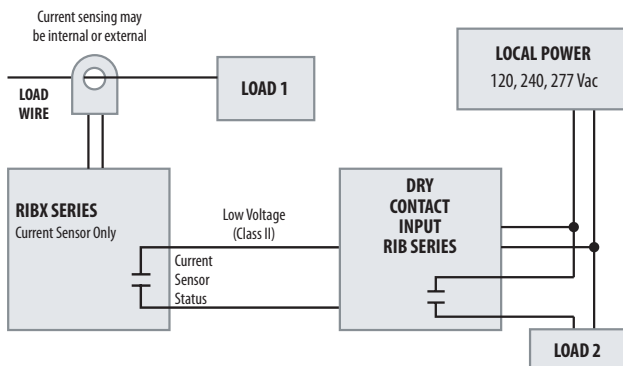


EXTERNAL 10 AMP

RIBXLCRF
RIBXLCRA
RIBXLCJF
RIBXLCJA
RIBXLSRF
RIBXLSRA
RIBXLSJF
RIBXLSJA

6 INTERLOCKING LOADS (NO TRANSFORMER)

Self-powered Current Sensors of the RIBX Series and relays of the Dry Contact Input RIB Series may be applied to interlock Load 2 to Load 1.



DRY CONTACT INPUT RELAYS

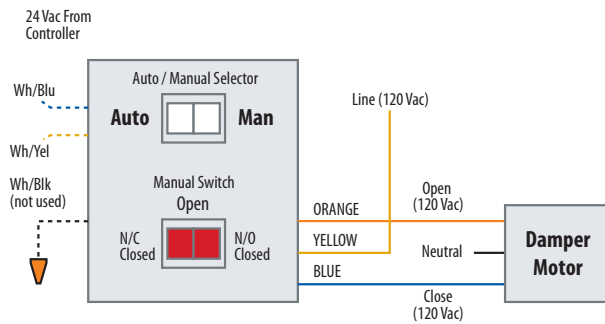
RIB21CDC
RIB01BDC
RIB01SBDC
RIB02BDC
RIB02SBDC
RIBM01ZNDC
RIBM02ZNDC
RIBM013PNDC

CURRENT SENSORS

RIBXKF RIBXRF
RIBXKTF RIBXRA
RIBXKA RIBXJF
RIBXKTA RIBXJA
RIBXGA RIBMXF
RIBXGF RIBMXA
RIBXGTA RIBMXRF
RIBXGTF RIBMXRA
RIBXGFL RIBMXJF
RIBXGTFL RIBMXJA
RIBXF
RIBXA

7 DAMPER MOTOR CONTROL

Damper motor control with true-HOA. The damper motor can be stopped in mid position for debugging. When auto/manual selector is in auto, relay controls the load. When in manual, use the manual switch to control the load.



10 & 15 AMP

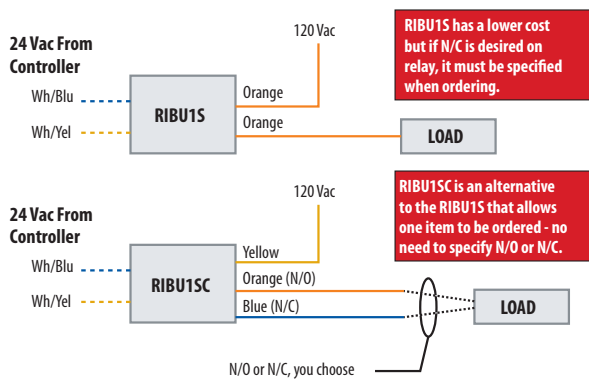
RIBU1SC
RIBH1SC
RIBTU1SC
RIBTH1SC
RIBMU1SC
RIBMH1SC

20 AMP

RIB2401SBC
RIB2402SBC
RIBT2401SBC
RIBT2402SBC
RIBM2401SBC
RIBM2402SBC

8 RIBU1S VS. RIBU1SC

Stock model RIBU1SC for relay control applications that require true-HOA on either N/O or N/C. No jumpers and no wrong orders.



10 & 15 AMP

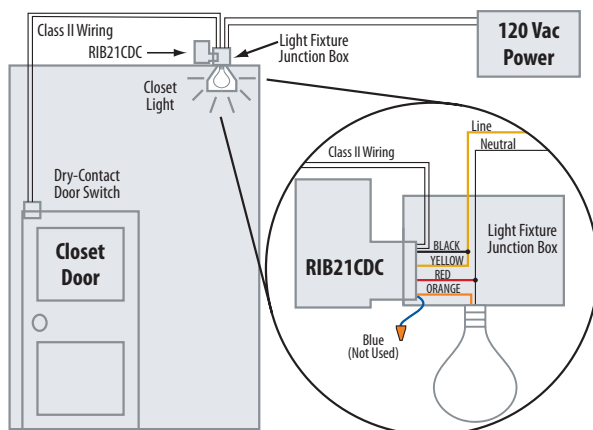
RIBU1SC
RIBH1SC
RIBTU1SC
RIBTH1SC
RIBMU1SC
RIBMH1SC

20 AMP

RIB2401SBC
RIB2402SBC
RIBT2401SBC
RIBT2402SBC
RIBM2401SBC
RIBM2402SBC

9 DRY CONTACT INPUT RELAYS

Does not require a transformer to power the relay. Safe, low voltage, Class II wiring can be run to a dry contact switch on the door (or any place desired).



ENCLOSED RELAYS

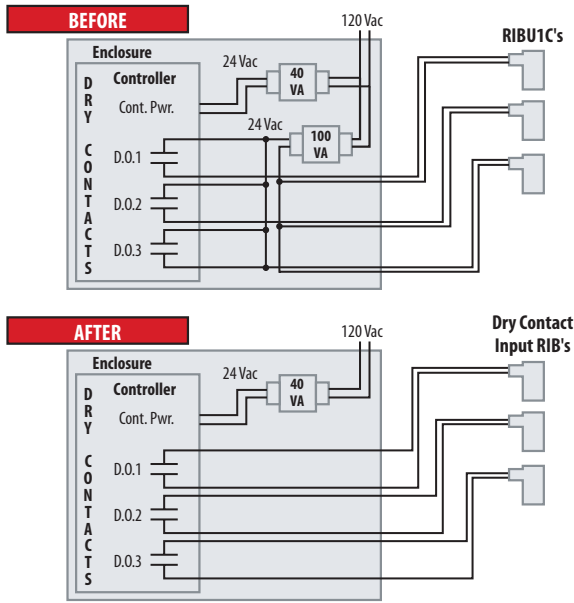
RIB21CDC
RIB01BDC
RIB01SBDC
RIB02BDC
RIB02SBDC

TRACK RELAYS

RIBM01ZNDC
RIBM02ZNDC
RIBM013PNDC

10 LIMIT EXTRA TRANSFORMERS WITH DRY CONTACT INPUT RELAYS

Eliminate the expense of extra transformer(s) and associated wiring.



ENCLOSED RELAYS

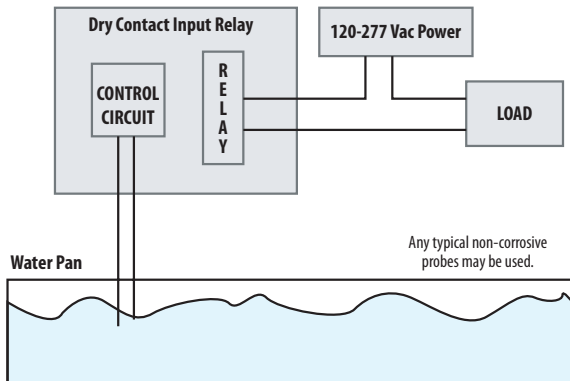
RIB21CDC
RIB01BDC
RIB01SBDC
RIB02BDC
RIB02SBDC

TRACK RELAYS

RIBM01ZNDC
RIBM02ZNDC
RIBM013PNDC

11 DETECT WATER LEVELS WITH DRY CONTACT INPUT RELAYS

If the water touches the wires, the relay will turn on (closes COMMON to N/O and opens COMMON to N/C). Uses UL Approved low-voltage to sense water and activate relay.



ENCLOSED RELAYS

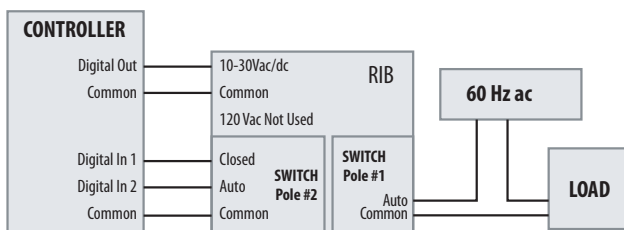
RIB21CDC
RIB01BDC
RIB01SBDC
RIB02BDC
RIB02SBDC

TRACK RELAYS

RIBM01ZNDC
RIBM02ZNDC
RIBM013PNDC

12 MONITORING SWITCH POSITION WITH A CONTROLLER

Digital In 1 and 2 of the controller can be used to monitor the position of the HOA switch. The controller can be programmed to log the status of the HOA and provide a warning if the switch is in an override position.



ENCLOSED RELAYS

10 AMP
RIBU1SM
RIBH1SM

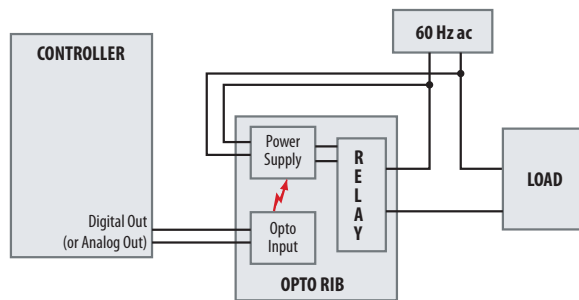
TRACK RELAYS

15 AMP
RIBMU1SM
RIBMH1SM
RIBMNU1SM
RIBMNH1SM

D11	D12	RESULT
Open	Open	Overridden Off
Open	Closed	Auto
Closed	Open	Overridden On
Closed	Closed	Error Condition

13 HIGH VOLTAGE OPTOISOLATED RELAYS

Optoisolated relays help isolate noisy loads from the controller. Good for controlling power relays from analog outputs.



ENCLOSED RELAYS

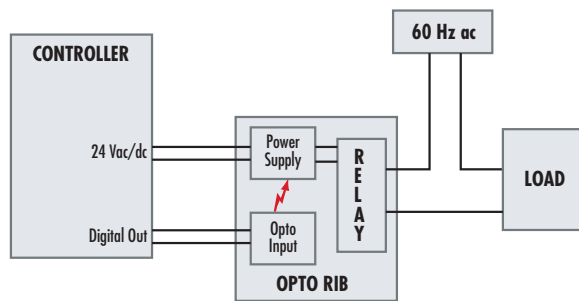
RIBTE01B
RIBTE02B
RIBTE01SB
RIBTE02SB
RIBTE01P
RIBTE02P

TRACK RELAYS

RIBME2401B
RIBME2402B
RIBME2401SB
RIBME2402SB
RIBME2401P
RIBME2402P

14 LOW VOLTAGE OPTOISOLATED RELAYS

Optoisolated relays help isolate noisy loads from the controller. Good for controlling power relays from analog outputs.



ENCLOSED RELAYS

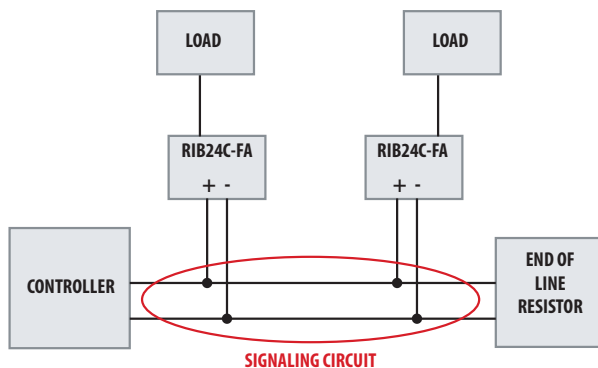
RIBTELC
RIBTELS
RIBTE24B
RIBTE24SB
RIBTE24P

TRACK RELAYS

RIBME2401B
RIBME2402B
RIBME2401SB
RIBME2402SB
RIBME2401P
RIBME2402P

15 POLARIZED RELAYS

For fire alarm systems, smoke control systems, etc. Relays are polarized to work in a supervised system and may be turned on and off by reversing polarity.



ENCLOSED RELAYS

RIB12C-FA
RIB24C-FA
RIB24S-FA
RIBT24B-FA
RIB24P-FA

TRACK RELAYS

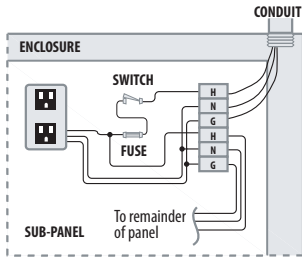
RIBMN12C-FA
RIBMN24C-FA
RIBMN12S-FA
RIBMN24S-FA

16 CONDENSE WORK SPACE & WIRING (POWER CONTROL)

Power Control Centers allow you to save large amounts of time, space, and wiring throughout your panel.

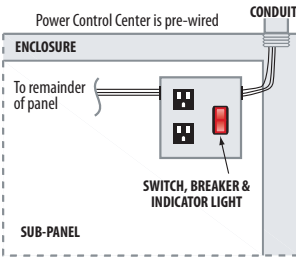
BEFORE

There is a lot of extra wiring in this enclosure which not only takes up space but also increases the difficulty and time associated with installation.



AFTER

By using one of Functional Devices' Power Control Centers you will greatly reduce installation time, as well as save space in your enclosure.



ENCLOSED 4 AMP

PSPT2RB4
PSPW2RB4

ENCLOSED 10 AMP

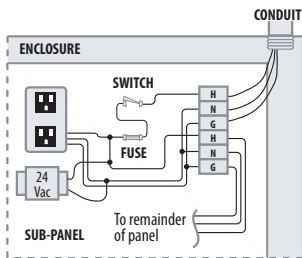
PSPT2RB10
PSPW2RB10

17 CONDENSE WORK SPACE & WIRING (POWER SUPPLIES)

The PSC, PSH, and PSB Series Power Supplies allow you to save large amounts of time, space, and wiring throughout your panel.

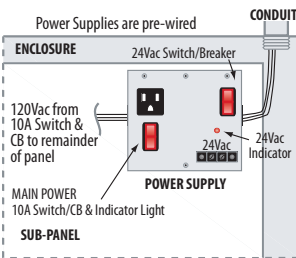
BEFORE

There is a lot of extra wiring in this enclosure which not only takes up space but also increases the difficulty and time associated with installation.



AFTER

By using one of Functional Devices' Power Supplies you will greatly reduce installation time, as well as save space in your enclosure.



POWER SUPPLIES

Any "B10" models in the PSC, PSH, or PSB Power Supply Series'

18 SWITCH IN A BOX ENCLOSED CONTROLS

Pre-labeled 20A switches are great for new installations or last minute corrections to controls jobs. Switch labels may be custom selected when ordering.

2 POSITION



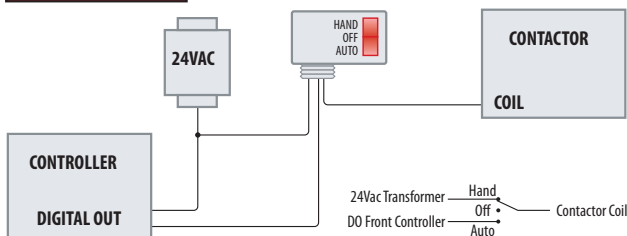
2 POSITION

SIB04S
SIB05S

3 POSITION

SIB02S
SIBLS

3 POSITION



AM578B APPLICATION MANUAL 2005

www.FUNCTIONALDEVICES.com

APPLICATION NOTES FOR RIB® RELAYS, CURRENT SENSORS, POWER SUPPLIES, & POWER CONTROL UNITS